



Protect. Enhance. Outperform.

ARCHITECTURAL FINISHES

MicroCement

PREMIUM MICROCEMENT FINISH SYSTEM

EXCLUSIVE CANADIAN DISTRIBUTOR



MicroCement by Cementec

Complete versatility and state of the art design

What is “MicroCement”?

Microcement is a continuous, smooth and polished covering which offers an excellent level of adhesion on different surfaces to achieve an aesthetic change in your bathroom, kitchen, or inside or outside of your house, as well as in offices, businesses or large stores. It is one of the most complete and sought after coverings for achieving areas with a suggestive, personal and distinctive touch in their design.

Where can MicroCement be applied?

This is one the main advantages that microcement offers; it is a product suitable for application on almost all types of surfaces and spaces, refurbishments or renovations, as well as new buildings. The most common areas are usually bathrooms, showers, kitchens, stairs, homes, units, and also commercial areas such as shops, restaurants and public spaces in general.

Benefits of MicroCement:

- It is ready to be used
- Easy: Already weighed, measured and pasted.
- Clean: Does not generate suspended dust.
- Intuitive: No prior experience or on-site training is required.
- Safe: Product protected under a strict quality control.
- Complete: A full variety of products and colours.



EXCLUSIVE CANADIAN DISTRIBUTOR



We are proud to partner with CEMENTEC to provide Canadian Architects and Contractors with a premium cement-like finish solution.



MicroCement Standard

General application system

PAGE 4

MicroCement Standard Vario

Variable finish system

PAGE 5

MicroCement Water Resistant

Water resistant system

PAGE 6

MicroCement High Traffic

Pedestrian traffic bearing system

PAGE 7

Additional Products

Customization options for
Microcement

PAGE 8

Application Instructions

Guidelines and best practice for
MicroCement Application

PAGE 10

MicroCement Standard

General application, ready-to-use cement finish



IDEAL FOR

Interior walls and floors exposed to low traffic and residential use

FEATURES

Provides a smooth and monolithic aesthetic

Ease of application

Seamless and hygienic Finish

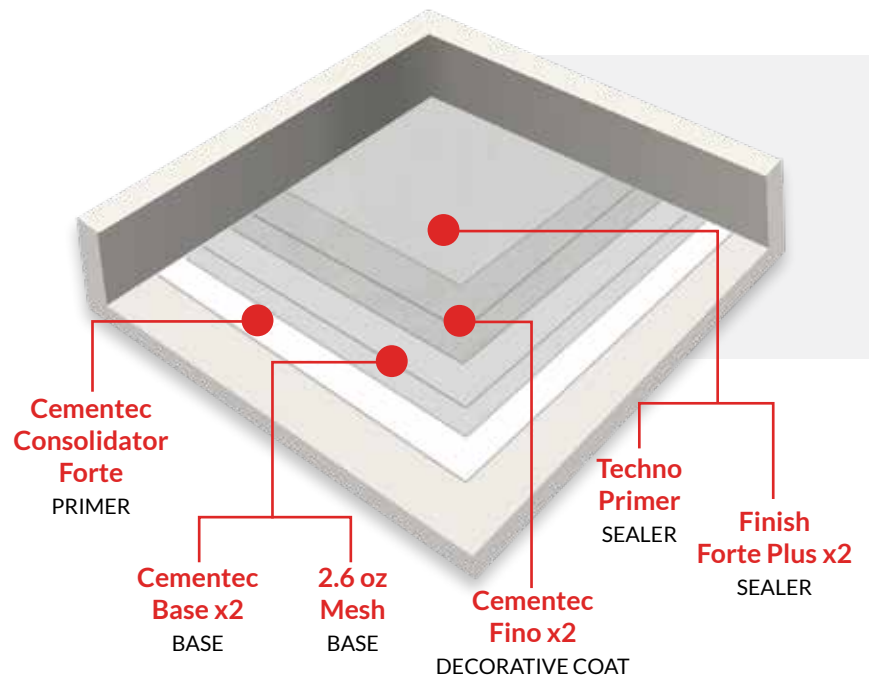
Easy-to-clean and sterilise

Low maintenance cost

Can be applied on almost any type of support, tiles, marble, self-levelling, plaster, etc.

COLOUR AVAILABILITY

Tinted (Any Colour)



IMPORTANT: Sand surface after each base and decorative coat. Substrate must be flat and smooth before installation. Not recommended over wood or moving substrates. No guarantee for substrate cracks. Consult Durabond with any further questions.



| COMPONENT | PRODUCT | COVERAGE | APPLICATION TEMPERATURE |
|-----------------|--|----------------------------------|-------------------------|
| Primer | Consolidator Forte (Non porous substrates) | 1000 ft ² / 5L pail | 10°C to 30°C |
| | Consolidator (Porous substrates) | | |
| Base | Cementec Base x2 | 120 ft ² / 12 kg pail | 10°C to 30°C |
| | 2.6 oz Reinforcing Mesh | 400 ft ² / roll | 10°C to 30°C |
| Decorative Coat | Cementec Fino x2 | 250 ft ² / 12 kg pail | 10°C to 30°C |
| Sealer | Techno Primer | 1000 ft ² / 5 L pail | 10°C to 30°C |
| | Finish Forte Plus x2 | 1000 ft ² / 5 L pail | 10°C to 30°C |

MicroCement Standard Vario

Ready-to-use microcement with variable finish



IDEAL FOR

Interior walls and floors exposed to low traffic and residential use

FEATURES

Provides a variable finish

Ease of application

Seamless and hygienic Finish

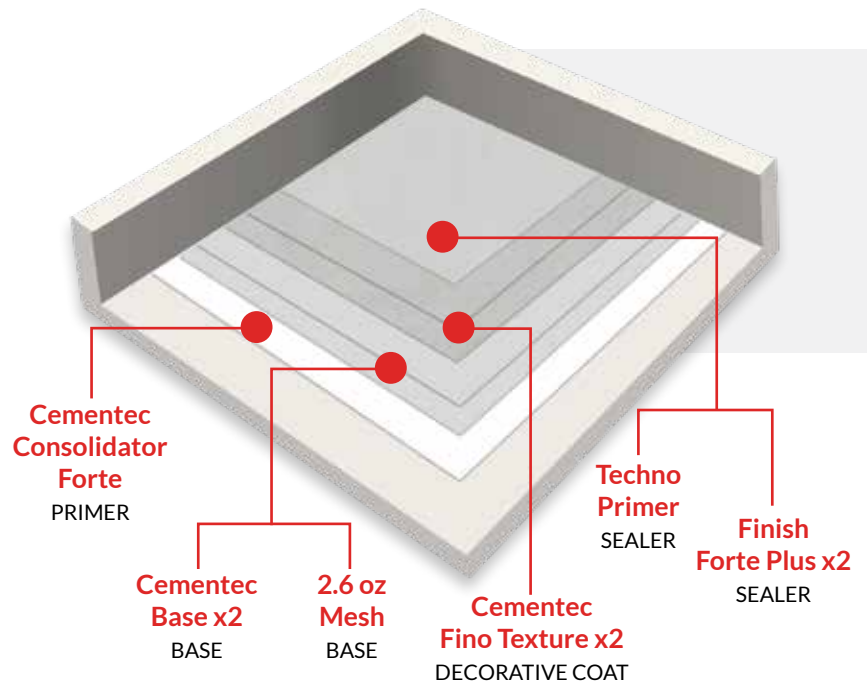
Easy-to-clean and sterilise

Low maintenance cost

Can be applied on almost any type of support, tiles, marble, self-leveling, plaster, etc.

COLOUR AVAILABILITY

Tinted (Any Colour)



IMPORTANT: Sand surface after each base and decorative coat. Substrate must be flat and smooth before installation. Not recommended over wood or moving substrates. No guarantee for substrate cracks. Consult Durabond with any further questions.



| COMPONENT | PRODUCT | COVERAGE | APPLICATION TEMPERATURE |
|-----------|--|----------------------------------|-------------------------|
| Primer | Consolidator Forte (<i>Non porous substrates</i>) or Consolidator (<i>Porous substrates</i>) | 1000 ft ² / 5 L pail | 10°C to 30°C |
| | Cementec Base x2 | 120 ft ² / 12 kg pail | 10°C to 30°C |
| Base | 2.6 oz Reinforcing Mesh | 400 ft ² / roll | 10°C to 30°C |
| | Cementec Fino Texture x2 | 250 ft ² / 12 kg pail | 10°C to 30°C |
| Sealer | Techno Primer | 1000 ft ² / 5 L pail | 10°C to 30°C |
| | Finish Forte Plus x2 | 1000 ft ² / 5 L pail | 10°C to 30°C |

MicroCement Water Resistant

Water resistant, ready-to-use cement finish



IDEAL FOR

Interior walls and floors exposed to water and chemicals i.e. bathrooms and kitchens

FEATURES

Water and chemical resistant

Provides a smooth and seamless aesthetic

Ease of application

Seamless and hygienic Finish

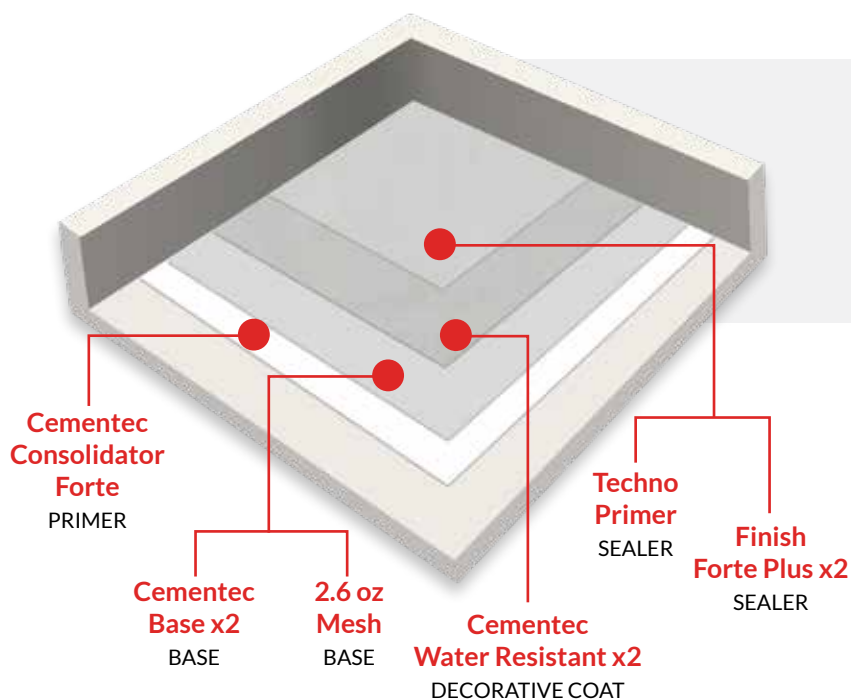
Easy-to-clean and sterilise

Low maintenance cost

Can be applied on almost any type of support, tiles, marble, self-leveling, plaster

COLOUR AVAILABILITY

Tinted (Any Colour)



IMPORTANT: Sand surface after each base and decorative coat. Substrate must be flat and smooth before installation. Not recommended over wood or moving substrates. No guarantee for substrate cracks. Consult Durabond with any further questions.

| COMPONENT | PRODUCT | COVERAGE | APPLICATION TEMPERATURE |
|-----------|--|----------------------------------|-------------------------|
| Primer | Consolidator Forte (<i>Non porous substrates</i>) or Consolidator (<i>Porous substrates</i>) | 1000 ft ² / 5 L pail | 10°C to 30°C |
| | Cementec Base x2 | 120 ft ² / 12 kg pail | 10°C to 30°C |
| Base | 2.6 oz Reinforcing Mesh | 400 ft ² / roll | 10°C to 30°C |
| | Cementec Water Resistant x2 | 250 ft ² / 12 kg pail | 10°C to 30°C |
| Sealer | Techno Primer | 1000 ft ² / 5 L pail | 10°C to 30°C |
| | Finish Forte Plus x2 | 1000 ft ² / 5 L pail | 10°C to 30°C |

MicroCement High Traffic

Pedestrian traffic resistant, ready-to-use cement finish



IDEAL FOR

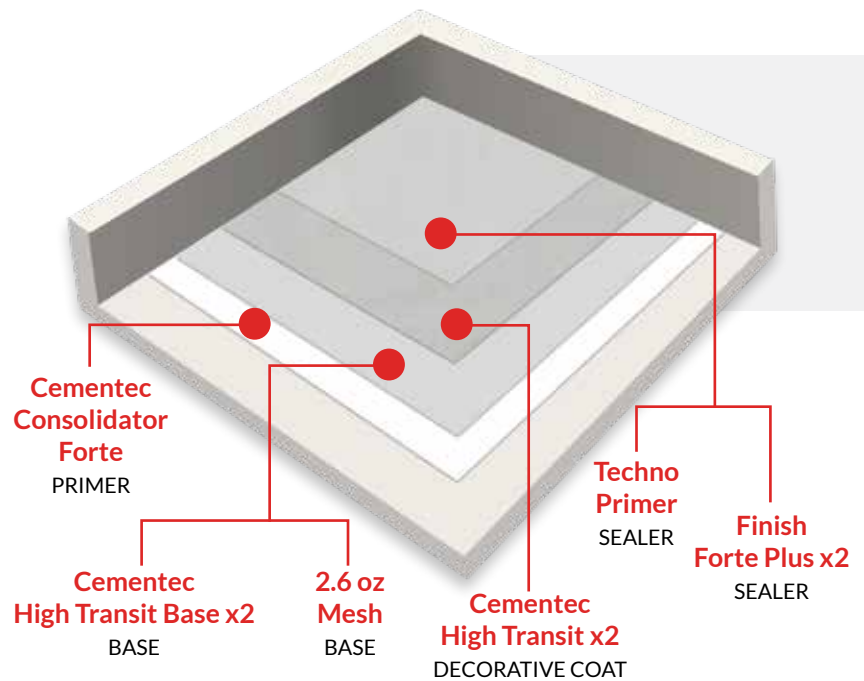
Interior floors subject to high daily pedestrian traffic and abrasion

FEATURES

- High durability
- Provides a smooth and seamless aesthetic
- Ease of application
- Seamless and hygienic Finish
- Easy-to-clean and sterilise
- Low maintenance cost
- Can be applied on almost any type of support, tiles, marble, self-leveling, plaster

COLOUR AVAILABILITY

Tinted (Any Colour)



IMPORTANT: Sand surface after each base and decorative coat. Substrate must be flat and smooth before installation. Not recommended over wood or moving substrates. No guarantee for substrate cracks. Consult Durabond with any further questions.



| COMPONENT | PRODUCT | COVERAGE | APPLICATION TEMPERATURE |
|-----------------|-------------------------------|----------------------------------|-------------------------|
| Primer | Consolidator Forte | 1000 ft ² / 5 L pail | 10°C to 30°C |
| Base | Cementec High Transit Base x2 | 120 ft ² / 12 kg pail | 10°C to 30°C |
| | 2.6 oz Reinforcing Mesh | 400 ft ² / roll | 10°C to 30°C |
| Decorative Coat | Cementec High Transit x2 | 275 ft ² / 11 kg pail | 10°C to 30°C |
| Sealer | Techno Primer | 1000 ft ² / 5 L pail | 10°C to 30°C |
| | Finish Forte Plus | 1000 ft ² / 5 L pail | 10°C to 30°C |

Additional Products

Customize Microcement to suit your project



CONSOLIDATOR FORTE

CONSOLIDATOR FORTE works as an adhesion promoter for absorbent supports, such as:

Concrete | Plasters | Mortars

In addition, it prevents the dehydration of CEMENTEC ready-to-use microcement products through the support.



FINISH FORTE PLUS

FINISH FORTE PLUS is a 2-component, water-based, aliphatic polyurethane varnish for surface protection of CEMENTEC systems.

The product is composed of component A and component B which acts as a catalyst (with a colourless finish) to enhance the cement appearance of CEMENTEC systems.

Available in three tones: Matte | Satin | Gloss



FIBERGLASS MESH - 2.6 oz

Our 2.6 oz Standard Mesh is an alkaline coated fiberglass fabric which is suitable to work as reinforcement for polymer modified and polymer-based cementitious base coats, and used as the minimum grade reinforcing mesh layer.

Available roll sizes: 38" Roll



MICROCEMENT WATER RESISTANT WALLS & HIGH TRAFFIC FLOORS

Application Instructions

Guidelines and best practices for Microcement

1. CORRECT & PRIME PREVIOUS SURFACES

1.1. CONTINUOUS SURFACE

If the surface where MICROCEMENT will be applied is smooth, level, and free of a major joints or cracks, please continue with this step. If not please proceed to **Step 1.B**.

Using masking tape, section off areas where MICROCEMENT will not be applied, including the edges of adjacent walls (as you would when painting a wall or floor).

Prepare the MICROCEMENT PRIMER as per the product instruction label located on the packaging.

Allow a cure and dry time of 3 - 4 hours after application.

REQUIRED TOOLS:

Masking tape

Microfiber roller

Brush

Plastic bucket

Consolidator

1.2. NON-CONTINUOUS SURFACE (TILES & FLOORS WITH JOINTS)

FILLING IN SUPPORT JOINTS

If the surface where MICROCEMENT will be applied contains joints or cracks, it will need to be corrected before proceeding with application.

Using masking tape, section off areas where MICROCEMENT will not be applied, including the edges of adjacent walls (as you would when painting a wall or floor).

Using a ROLLER and BRUSH, apply 1 coat of MICROCEMENT BASE or FINO across support joints and cracks. Flexible caulking should be used when covering flexible joints.

Allow a cure and dry time of 3 - 4 hours after application.

Once the application has fully dried, use a SANDING MACHINE to smooth and level the covered areas.

REQUIRED TOOLS:

Masking tape

Spatula

Flexible caulking

Plastic bucket

Sanding Machine

Base or Fino

SEALING THE JOINTS

Once the Joints have been covered and the surface is smooth and continuous, we must seal the applied product before proceeding to the full application.

Prepare the MICROCEMENT SEAL as per the product instruction label located on the packaging.

Lay down the FIBERGLASS MESH across the area to be covered.

Apply 1 Coat of MICROCEMENT PRIMER over the area.

Allow a cure and dry time of 12 - 24 hours after application.

REQUIRED TOOLS:

Microfiber roller

Brush

Plastic bucket

Seal (A+B)

Fiberglass Mesh

PLEASE NOTE

The instructions in this brochure are general guidelines for applications. The guidelines may change depending on the MICROCEMENT system and project conditions.

2. MICROCEMENT APPLICATION

2.1. APPLYING THE BASE COAT

Prepare the MICROCEMENT BASE as per the product instruction label located on the packaging.

Using a SPATULA or TROWEL, apply 2 coats of MICROCEMENT BASE or FINO . Allow enough drying time after each coat, approximately 4 - 6 hours total.

When the BASE coats have dried, use a SANDING MACHINE to create a smooth and level surface.

Allow a cure and dry time of 12 -24 hours after application.

REQUIRED TOOLS:

Electric mixer

Spatula / Trowel

Colour Pigment

Plastic bucket

Base or Fino

Sanding machine

2.2. APPLYING THE FINISH COAT

Prepare the MICROCEMENT FINISH COAT according to the instructions on the product packaging. The FINISH coat is available in 3 options:

Fino | Water Resistant | High Traffic

Using a SPATULA or TROWEL, apply 2 coats of MICROCEMENT FINISH coat . Allow enough drying time after each coat, approximately 12 hours total.

When the FINISH coats have dried, use a SANDING MACHINE to create a smooth and level surface.

Allow a cure and dry time of 24 - 48 hours after application.

REQUIRED TOOLS:

Electric mixer

Spatula / Trowel

Colour Pigment

Plastic bucket

Fino or
Water Resistant or
High Traffic

Sanding machine

2.3. APPLYING THE TOP COAT

The MICROCEMENT TOP COAT ensure the finish application is sealed for durability and longevity. FINISH FORTE offers general, long-lasting protection while FORTE PLUS offers the additional benefit of water and chemical resistance.

Prepare the FINISH FORTE or FORTE PLUS according to the instructions on the product packaging.

Using a ROLLER and BRUSH, apply 2 coats of MICROCEMENT FINISH coat . Allow enough drying time after each coat, approximately 4 - 6 hours total.

Allow a cure and dry time of 48 hours after application.

REQUIRED TOOLS:

Mircofiber Roller

Brush

Plastic bucket

Forté or
Forté Plus



Protect. Enhance. Outperform.



The recommendations and information in this chart/document are for the application of Durex® products manufactured by Durabond, and are based on practical knowledge for general site conditions and uses. This chart is to be used as a reference guide only to identify and display the various products for general, non-site specific applications for a variety of installations. Differences in site conditions, preparations, materials are continuously variable and unknown.

As such, no warranty, guarantee or legal binding relationship is implied whatsoever with these products and systems and no guarantee can be made to their performance. In addition, preparation and condition of the substrate is of such utmost importance that a Durabond Technical Representative must be notified prior to installation of any of the aforementioned products and/or systems.

An installer must always prepare the surface to the recommendations found on the current data sheet of each product written and produced by Durabond Technical Coatings Limited. These data sheets can be obtained from Durabond's website, www.durabond.com, or by contacting a Technical Sales Representative directly.

TORONTO OFFICE

55 Underwriters Road, Toronto, ON M1R 3B4
T (416) 759-4474 | F (416) 759-4470

MISSISSAUGA OFFICE

6178 Netherhart Road, Mississauga, ON L5T 1B7
T (905) 565-9283 | F (905) 565-9365

WESTERN CANADA OFFICE

14604 124 Ave NW, Edmonton, AB T5L 3B3
T (780) 451-6364 | F (780) 453-9056

TOLL FREE

TF 1 877 387-2266 | E info@durabond.com

durabond.com